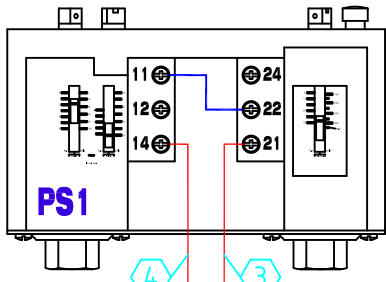


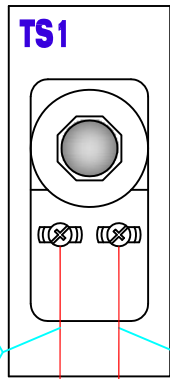
rite-temp water chillers

Electrical Schematic for:
460 VAC Models
RTS-804/1004, RTH-804/1004, RTR-804/1004*
& 1204 & 1204

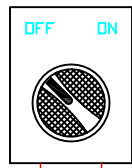
PS1: Copeland
Pressure Switch
#085-CP2M-7A



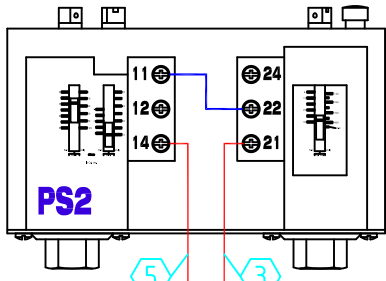
TS1: White-Rogers
Thermostat Switch
1609-105



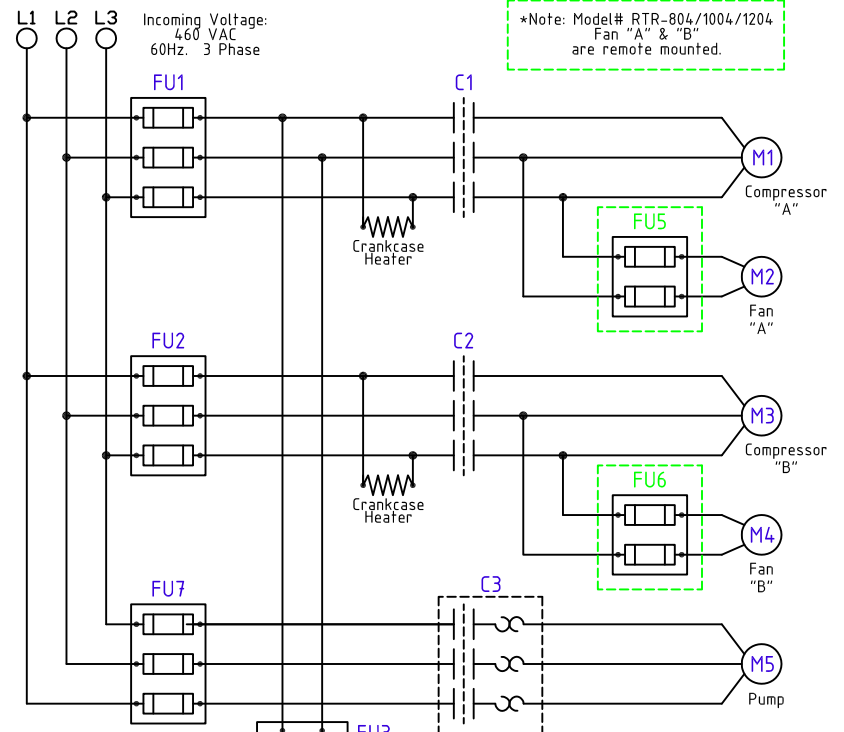
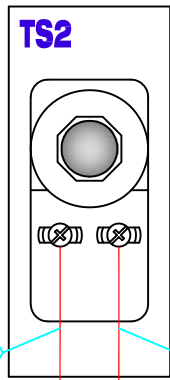
SS1



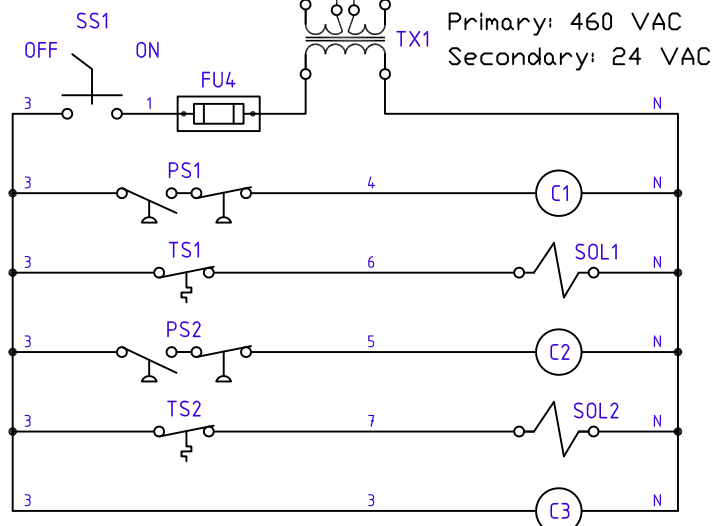
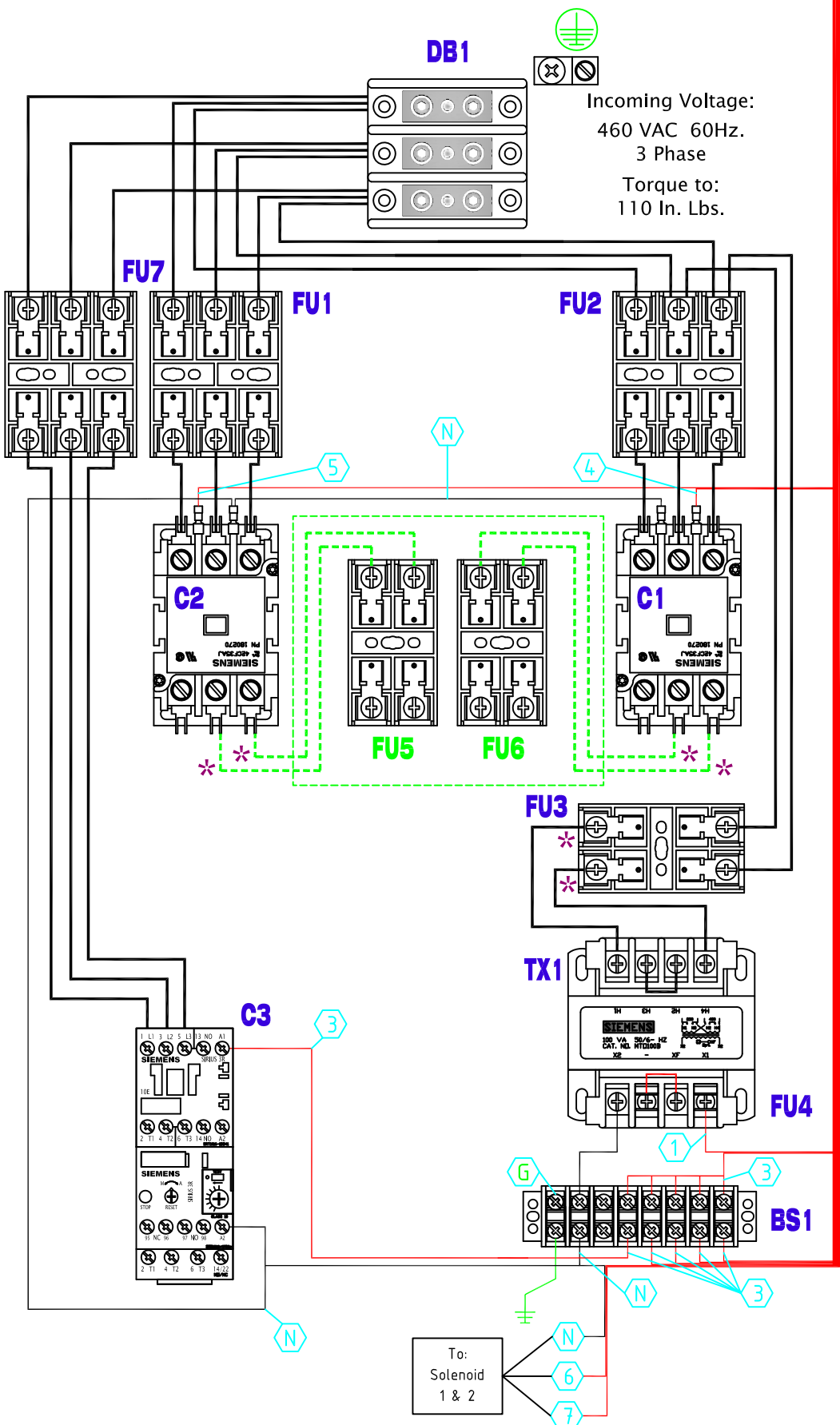
PS2: Copeland
Pressure Switch
#085-CP2M-7A



TS2: White-Rogers
Thermostat Switch
1609-105



Incoming Voltage:
460 VAC 60Hz.
3 Phase
Torque to:
110 In. Lbs.



LEGEND

Denotes remote fan option
on Model# RTR only

Denotes wire Number

Red & White control
wiring is 24 VAC.

All Red & White control
wire is #16 Awg.

* Is #14 Awg. Black
All other is #10 Awg.

FUSE VALUES

FU1	3ea. 20 Amp	FU4	1ea. 5 Amp
FU2	3ea. 20 Amp	FU5	2ea. 10 Amp
FU3	2ea. 1 Amp	FU6	2ea. 10 Amp

FU7 3ea. 10 Amp

COMPONENTS

DB1	Distribution Block Bussmann 16321-3	C1/C2	Contactors Siemens 42CF35AJ
FU1/2/7	Fuse Holder (3 Pole) Bussmann BM6033SQ	C3	Contactors Siemens 3RT1016-1AB01
FU3/5/6	Fuse Holder (2 Pole) Furnas 42CF35AJBLE		Overload Relay Siemens 3RB2016-1SB0
TX1	Transformer Siemens MT0 100 J	SS1	Selector Switch Siemens 3SB3500-2PA11 3SB3400-0B
BS1	Barrier Strip Bussmann TB200-8		