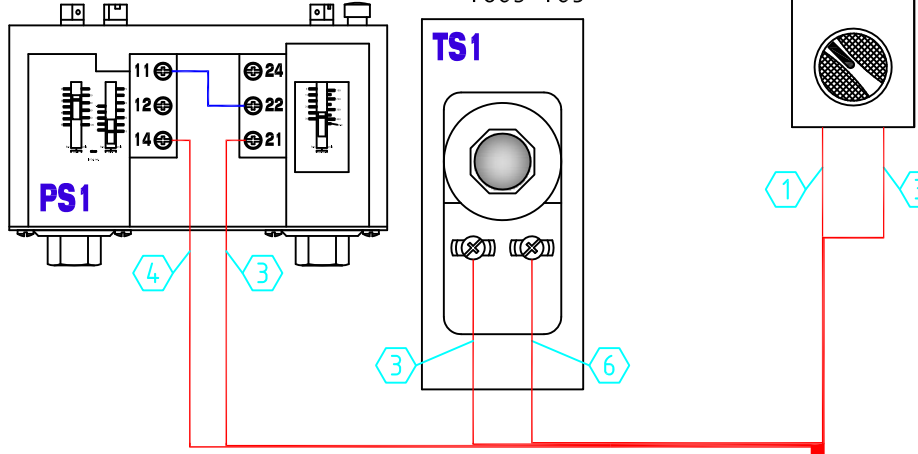


PS1: Copeland
Pressure Switch
#085-CP2M-7A

TS1: White-Rogers
Thermostat Switch
1609-105

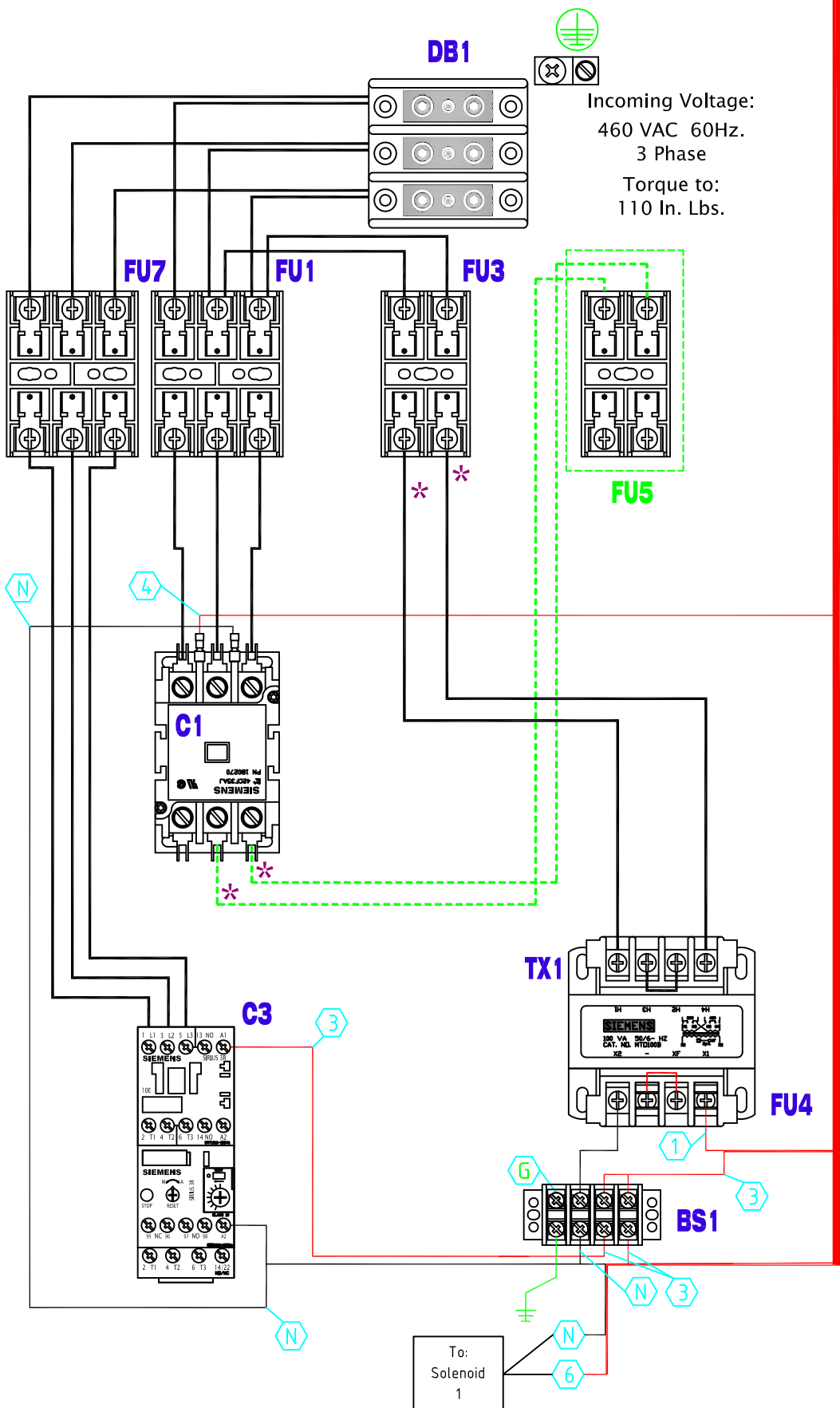
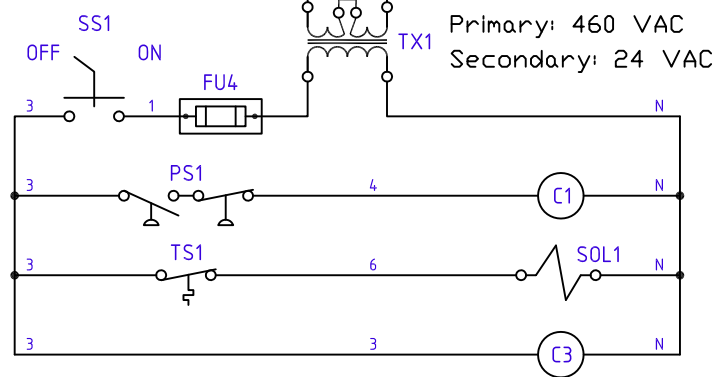
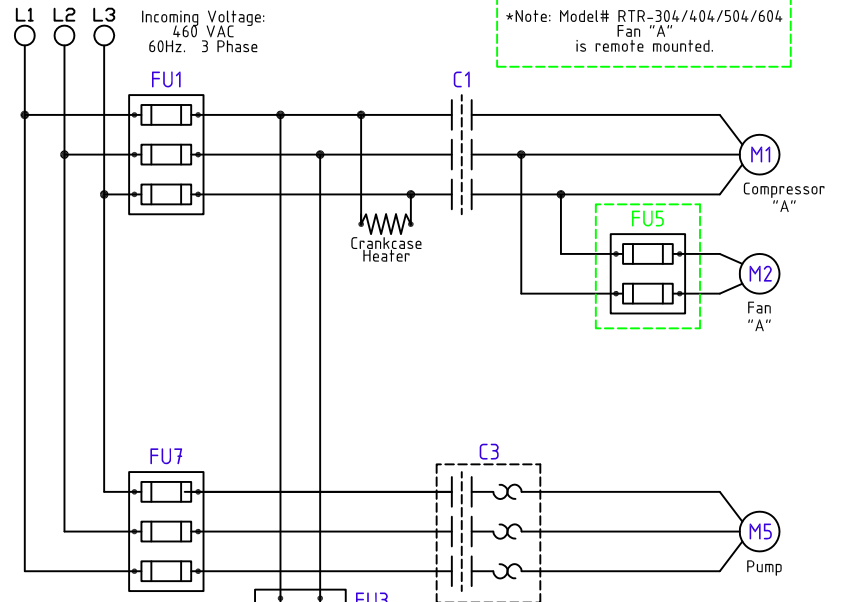
SS1



rite-temp water chillers

Electrical Schematic for:
460 VAC Models
RTS-304/404 RTH-304/404 RTR-304/404*
504/604 504/604 504/604

*Note: Model# RTR-304/404/504/604
Fan "A"
is remote mounted.



LEGEND

Denotes remote fan option
on Model# RTR only

Denotes wire Number

Red & White control
wiring is 24 VAC.

All Red & White control
wiring is #14 Awg. Black
wire is #16 Awg.

* Is #14 Awg. Black
All other is #10 Awg.

FUSE VALUES

FU1 3ea. 20 Amp	FU4 1ea. 5 Amp
FU3 2ea. 1 Amp	FU5 2ea. 10 Amp
FU7 3ea. 10 Amp	

COMPONENTS

DB1 Bussmann 16321-3	Distribution Block	C1 Siemens 42CF35AJ	Contactors
FU1/7 Bussmann BM6033SQ	Fuse Holder (3 Pole)	C3 Siemens 3RT1016-1AB01	Contactors
FU3/5 Furnas 42CF35AJBLE	Fuse Holder (2 Pole)	Siemens 3RB2016-1SBO	Overload Relay
TX1 Siemens MT0 100 J	Transformer	SS1 Siemens 3SB3500-2PA11 3SB3400-0B	Selector Switch
BS1 Bussmann TB200-4	Barrier Strip		