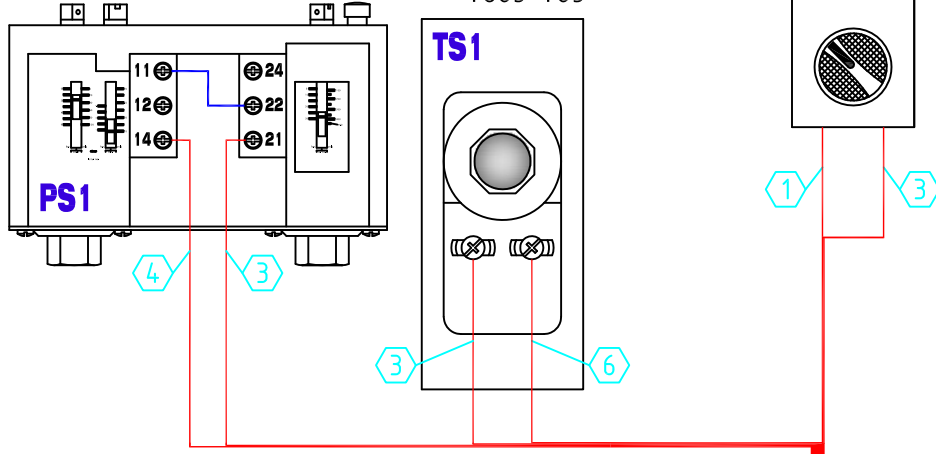


PS1: Copeland
Pressure Switch
#085-CP2M-7A

TS1: White-Rogers
Thermostat Switch
1609-105

SS1

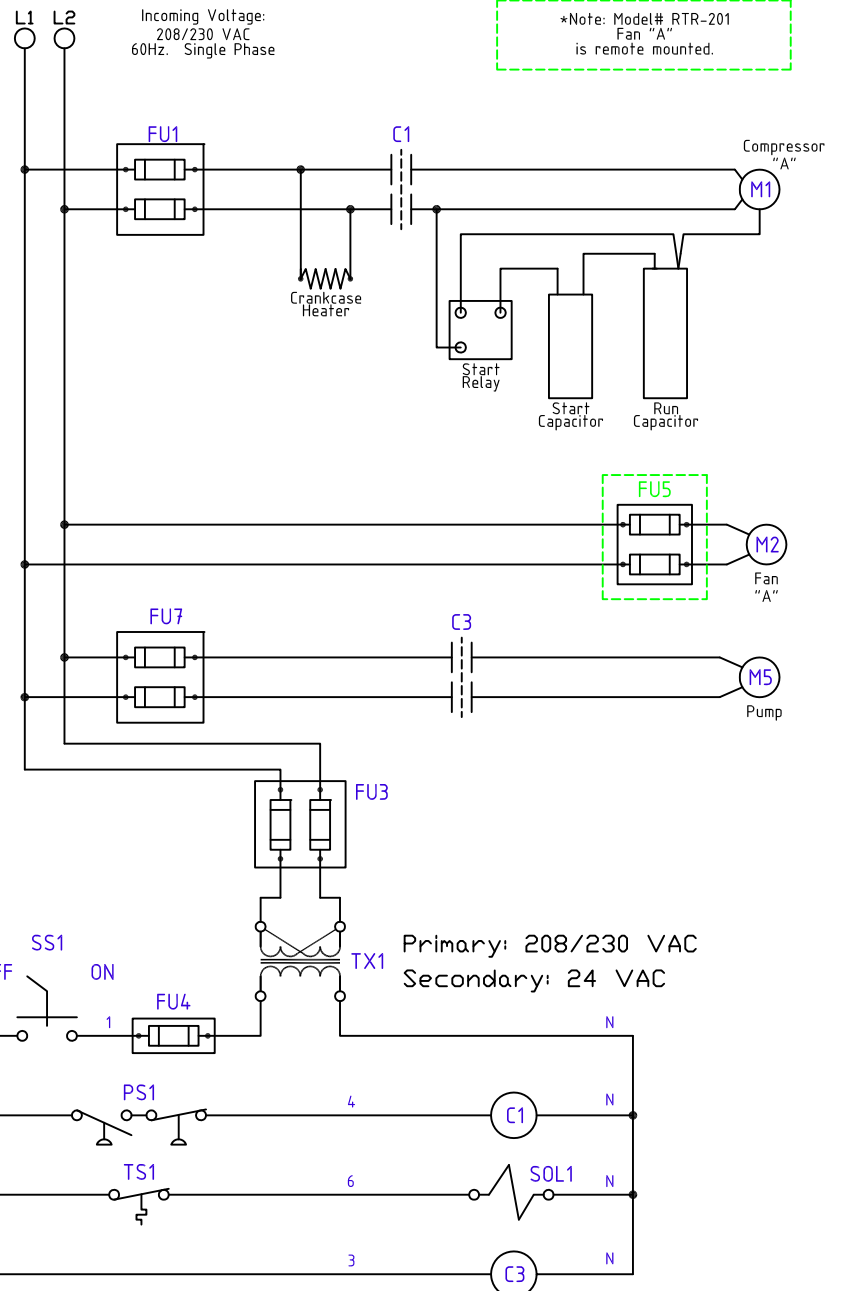
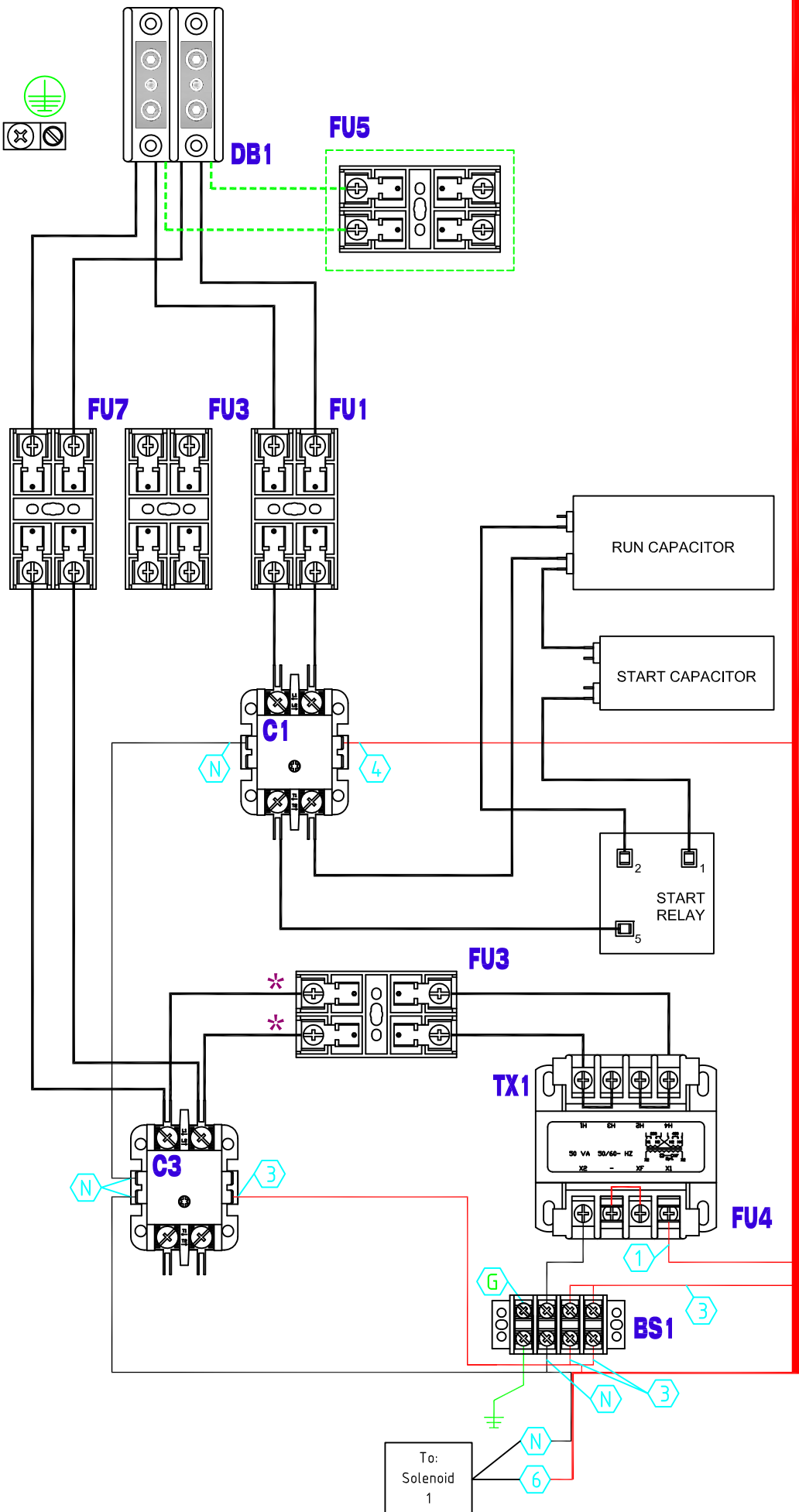


rite-temp

water chillers

Electrical Schematic for:
208/230 VAC 1Phase Models
RTS-201 RTR-201*

Incoming Voltage:
208/230 VAC 60Hz.
Single Phase
Torque to:
110 In. Lbs.



*Note: Model# RTR-201
Fan "A"
is remote mounted.

LEGEND

- Denotes remote fan option on Model# RTR only
 Denotes wire Number
-
- Red & White control wiring is 24 VAC.
-
- All Red & White control wiring is #16 Awg.
* Is #14 Awg. Black All other is #10 Awg.

FUSE VALUES

FU1 2ea. 30 Amp	FU4 1ea. 3 Amp
FU3 2ea. 1 Amp	FU5 2ea. 10 Amp
FU7 2ea. 10 Amp	

COMPONENTS

DB1 Bussmann 16321-3	C1/3 Siemens 45EG20AJB	BS1 Bussmann TB200-4
FU1/3/5/7 Furnas 42CF35AJBLE	SS1 Siemens 3SB3500-2PA11 3SB3400-0B	Start Relay B13-471
TX1 Packard PM4450	Run Capacitor 35 Mfd 440 VAC	Start Capacitor 145-170 Mfd 330 VAC