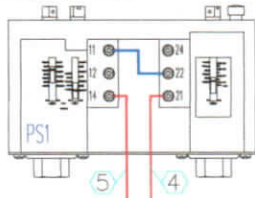
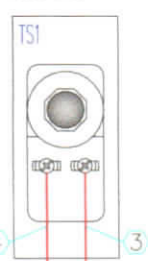


PS1: Copeland
Pressure Switch
#085-CP2M-7A



TS1: White-Rogers
Thermostat Switch
1609-105



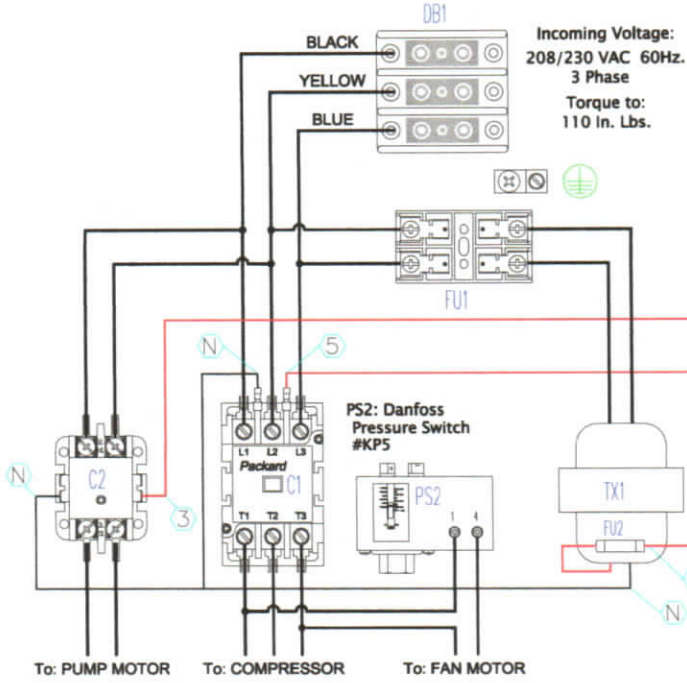
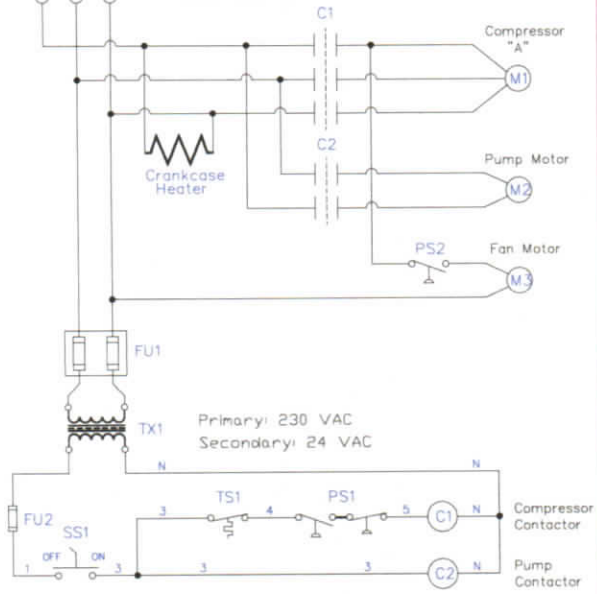
rite-temp

MOTOR CONTROLS

Electrical Schematic for:
208/230 VAC Model DCS6-230

Incoming Voltage:
208/230 VAC
60Hz, 3 Phase

Warning!
CUSTOMER MUST PROVIDE
A Power Disconnect with
A Short Circuit Current Rating
in Compliance with National
And Local Electrical Codes



LEGEND

○
Denotes wire number

Red & White control
wiring is 24 VAC.

All Red & White control wire is #16 Awg. * 230VAC wire is #14 Awg. Black, Yellow, Blue

FUSE VALUES

FU1 2ea. 2 Amp FU2 1ea. 3 Amp

COMPONENTS

| | | | |
|----------------------|--------------------------------------|-----------------|--|
| DB1 Littelfuse | Distribution Block LFS25723 | C1 Packard | Contactor C340A |
| FU1 Littelfuse | Fuse Holder (2 Pole) LM60030M-25Q | C2 Eaton | Contactor C25BNB230T |
| TX1 / FU2 Packard | Transformer PM4450 | BS1 Bussmann | Barrier Strip TB200-2 |
| | | SS1 Siemens | Selector Switch 35B3500-2PA11 35B3400-0B |