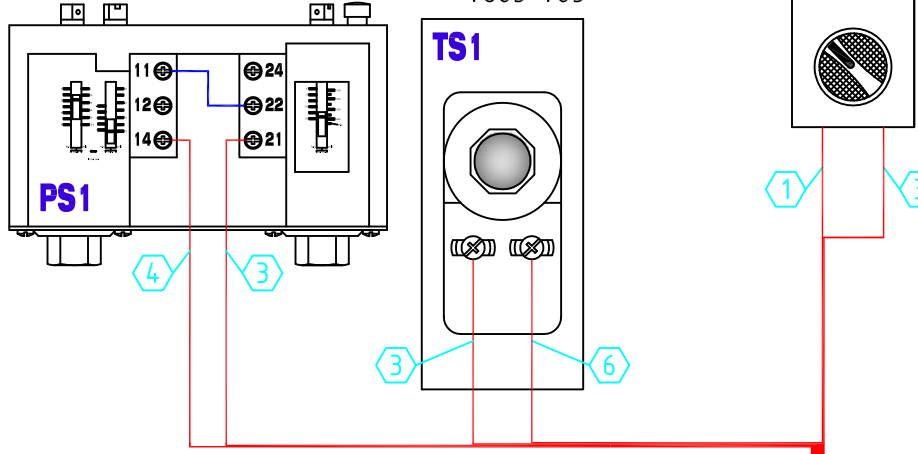


PS1: Copeland
Pressure Switch
#085-CP2M-7A

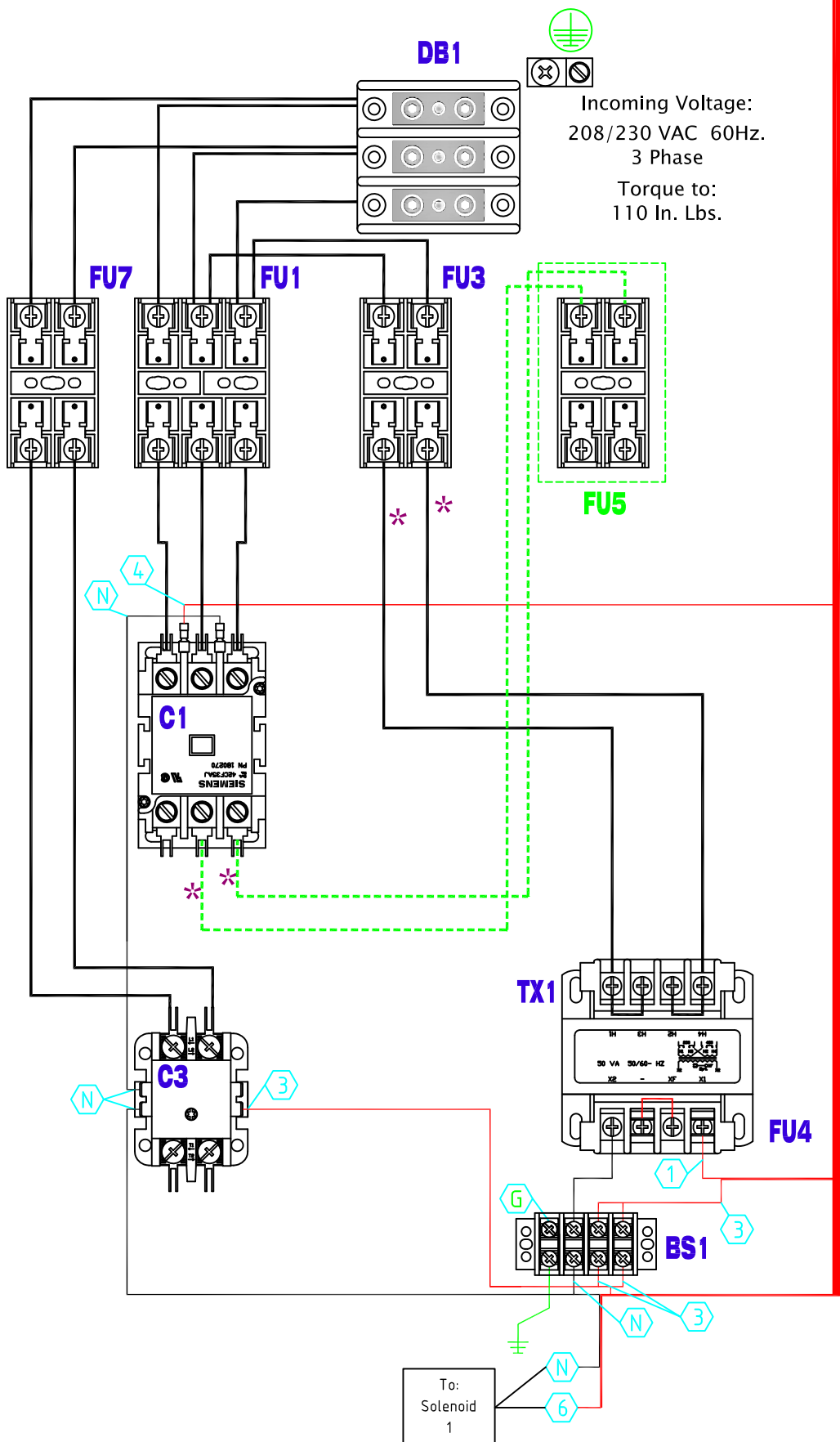
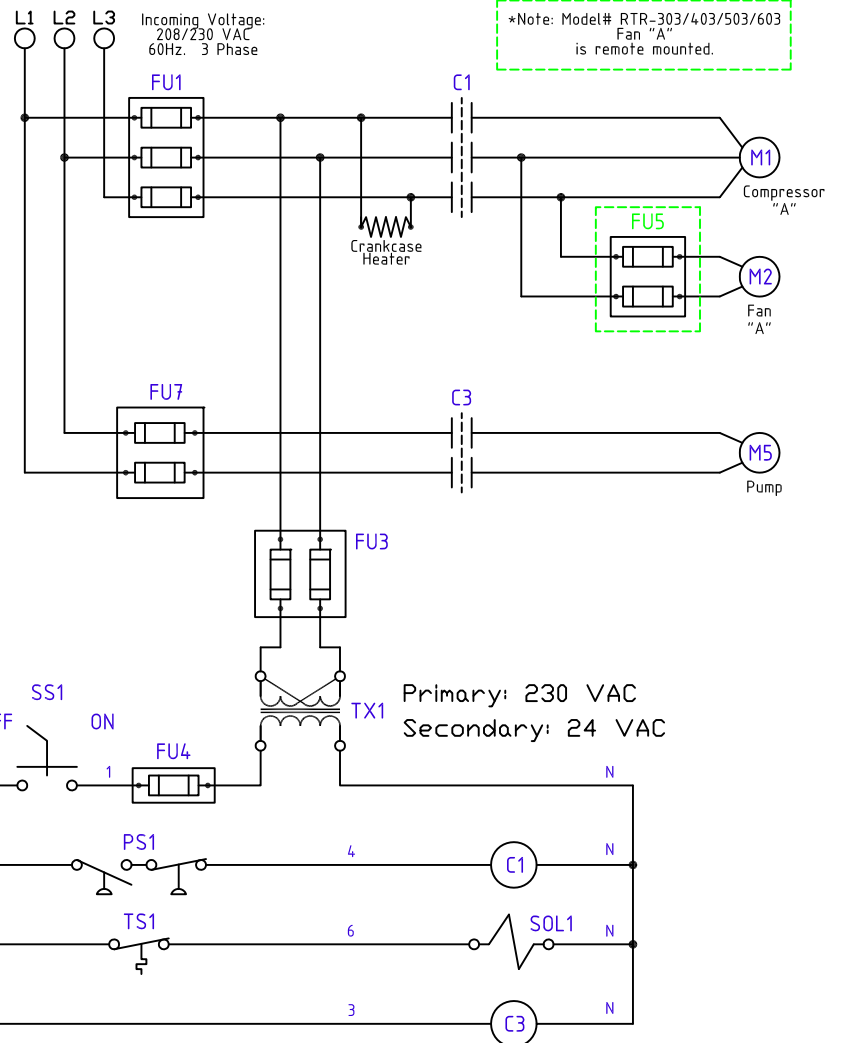
TS1: White-Rogers
Thermostat Switch
1609-105

SS1



rite-temp water chillers

Electrical Schematic for:
208/230 VAC Models
RTS-303/403 RTH-303/403 RTR-303/403*
503/603 503/603 503/603



LEGEND

- Denotes remote fan option on Model# RTR only
- Denotes wire Number
- Red & White control wiring is 24 VAC.
- All Red & White control wiring is #14 Awg. Black wire is #16 Awg.
- * Is #14 Awg. Black wire is #16 Awg. All other is #10 Awg.

FUSE VALUES

FU1 3ea. 30 Amp	FU4 1ea. 3 Amp
FU3 2ea. 1 Amp	FU5 2ea. 10 Amp
FU7 2ea. 10 Amp	

COMPONENTS

DB1 Bussmann 16321-3	C1 Siemens 42CF35AJ
FU1 Bussmann BM6033SQ	C3 Siemens 45EG20AJB
FU3/5/7 Furnas 42CF35AJBLE	BS1 Bussmann TB200-4
TX1 Packard PM4450	SS1 Siemens 3SB3500-2PA11 3SB3400-0B